

HolloWrap™

Coreless Stretch Wrap

Stretch Film that won't cost the earth

It is estimated that at least 100 million cardboard tubes need to be disposed of, usually by landfill, every year.

That's a staggering **20,000 tonnes** or **9,500,000 cubic metres** of space!

By using HolloWrap™
this can be avoided



Why HolloWrap ?

- Reduced environmental costs.
- No cores to dispose of after use.
- Can be used in both wet and dry conditions.
- Easy application.
- Available in hand or mini roll formats.
- Reduced storage and shipping space by 25% due to smaller product and packaging.
- Environmentally friendly, 100% useable.
- Reduce or completely eliminate disposal costs.
- Reduced overall cost of the product.
- Excellent performance.



PalletWrap

HolloWrap™ Coreless Stretch Wrap

The core is a waste component of every roll of stretch film. It not only adds cost to the product but it also creates environmental issues with waste disposal after the product is used.

All Standard stretch film rolls are currently wound on to cores, as no other alternative exists.

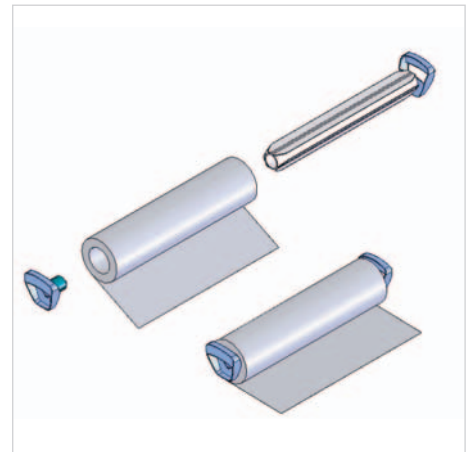
HolloWrap™ is a revolutionary new product that has been developed to be more efficient and eliminate waste to the end user. Produced on a patented system, HolloWrap™ is the environmental replacement for stretch film on a core. This unique product is not wound on to a core and yet it is used in exactly the same way, without any reduction in performance. This is as a direct response to the demands of both our clients, local councils and national governments. All this has been achieved without any reduction in the quality or usability of the end product.

How to use HolloWrap™ Hand rolls

- 1) Push the dispenser & cup handle into the roll
- 2) Push the cup handle into the other end of the dispenser
- 3) You are now ready to wrap. Without a core!



HandyWrap



HolloWrap™ is available in both Hand rolls (PalletWrap) or Mini rolls (HandyWrap). A variety of dispenser types are available to suit most wrapping methods.



HolloWrap™	Size	Thickness	Pack Qty
HandyWrap	100mm x 150m	17 micron	24 rolls per box
PalletWrap	400mm x 300mm	17 micron	6 rolls per box

For more information on HolloWrap™ call our Business Development Manager, Jonathan Shedd on **07976 708045**